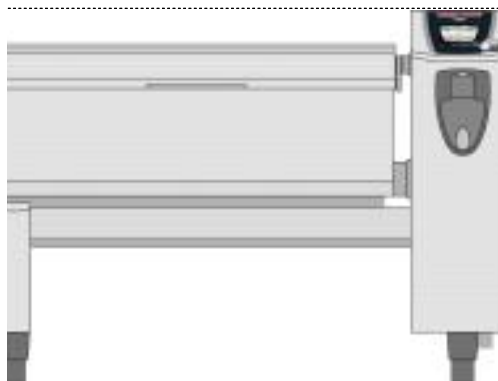


Specification

VarioCookingCenter® 311+ (65 dm², 150 l)

Reference number:






VarioCooking Control® - 7 process groups



Function: VarioCooking Control® mode

In the 7 cooking modes (meat, fish, vegetables and side dishes, egg dishes, soups and sauces, dairy products and desserts, Finishing® and service) VarioCooking Control® automatically detects the product-specific requirements, the size of the food to be cooked and the load size. The cooking time and temperature are continuously adjusted to achieve the result you want. The operator is actively guided through the cooking processes. The remaining cooking time is displayed.

Manual mode

-  Boiling: 30°C - BoilingT
-  Frying: 30°C - 250°C
-  Deep frying: 30°C - 180°C

VarioBoost®



patented, net-type heating system for absolutely even and precise temperature transmission

Program – mode



The program management function allows to create own programs, save and manage VarioCooking Control® processes and programs with individual settings.

Description

- Multifunctional cooking appliance for boiling, frying and deep frying, VarioCooking Control® - mode to automatically cook meat, fish, vegetables and side dishes, egg dishes, soups and sauces, dairy products and desserts, Finishing® and service.
- Manual mode for most of the cooking methods used in commercial kitchens. Suitable for boiling, frying and deep frying
- Pressure cooking (controlled by controlling the pressure and heat for optimum water and energy savings).
- Temperature range: 30 - 250°C

Working safety

- Cooking or washing water is emptied directly through the pan (without tilting and without floor drain)
- Operating and warning display, e.g. hot oil when deep frying
- Safety temperature limiter
- Maximum temperature of the pan sides 70°C
- HACCP data output and software update via the integrated Ethernet and USB port

Operation

- 8.5" TFT colour monitor and touch screen with self-explanatory symbols for ease of operation
- Central dial with "Push" function to confirm entries
- Application and user manuals can be called up on the unit display for the current action

Features

- Core temperature probe with 6 measuring points with patented core temperature probe holder
- VarioDose automatic highly accurate water filling device
- Fixed waste water connection possible as unit incorporates integral pipe isolating section
- VarioBoost® patented heating system
- Pan base TrimaTherm® - efficient and hard pan base made of three inseparable steel layers
- Cooking process control with microprocessor
- Integral socket
- USB port
- Ethernet
- Integral ON/OFF switch
- Variable foreign language display for messages from the unit
- Temperature unit can be toggled between °C and °F
- Digital temperature displays
- Actual and target value displays
- Digital timer, 0-24 hours with permanent settings, may be toggled between hour/min and min/sec
- 24-hour real-time clock
- Material: stainless steel DIN 1.4301, inside and outside
- Seamless hygienic pan with rounded corners
- Cooking pan tilted by electric cylinder
- Service Diagnostic System with service messages displayed automatically
- Protection class IP X5

Additional functions

- AutoLift raising and lowering device (baskets for boiled and deep-fried food)
- HACCP datamemory and outputting via USB port
- Individual programming of 350 cooking programs
- Delta-T cooking
- Energy efficiency tested according to DIN 18873 and consumption values published in database HKI CERT (Germany): <http://grosskuechen.cert.hki-online.de/en>

Installation

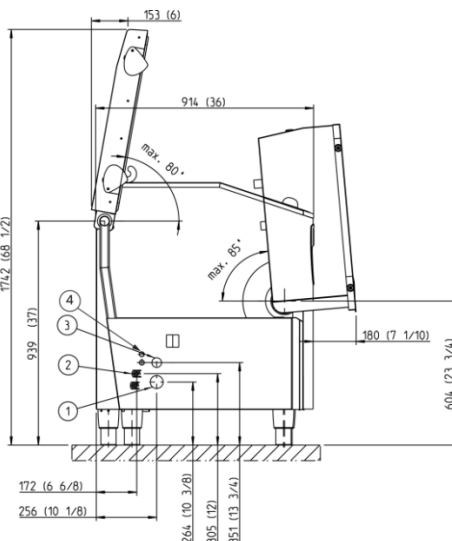
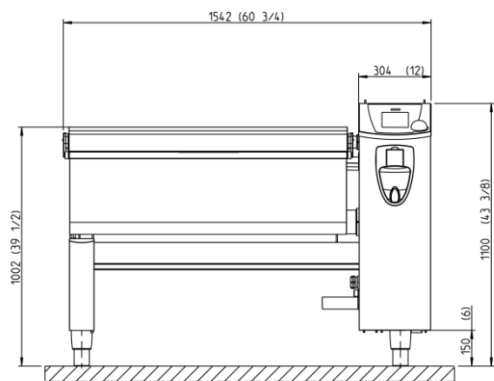
- Fixed waste water connection possible as unit incorporates integral pipe isolating section
- Can be set up without a floor drain
- Height-adjustable unit feet 150 to 175 mm
- All VarioCookingCenter® units are compatible with units and tables 850 mm high

Approval



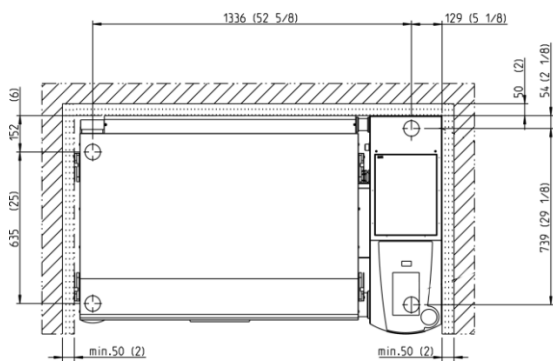
Designer:

VarioCookingCenter® 311+ (65 dm², 150 l)



1. Drain connection DN50
2. Water supply cold G3/4
3. Electrical connection
4. Splashwater-proof Ethernet socket RJ45

Measurements in mm (inch)



Technical Info

Working capacity	150 litre	Water connection cold water:	R3/4" for 1/2" pressure hose	Connected load**:	45 kW - 3NAC 400-415V
Volume :		Water pressure:	150-600 kPa / 1.5-6 bar	Connected load with VitroCeran**:	47 KW – 3NAC 400-415V
Pan Volume [WxDxH]:	1066 x 620 x 280 mm	Drain connection:	DN 50	Fuse***:	80 A - 30 mA 4-pol
Area [dm²]:	65 dm ²	Thermal load latent:	11,385 W (253 W/ KW)	Incoming cable***:	5 x 16 mm ²
Capacity baskets:	3 x 1/1 GN	Thermal load sensitive:	1,417.5 W (31.5 W/ kW)	Maximum socket power:	3,6 KW (16 A)
Width:	1542 mm	Recommended air extraction rate*:	2,640 m ³ /h	Data interface:	Splashwater proof LAN socket RJ45
Depth:	914 mm				
Height:	1100 mm				
Weight:	279 kg				
Height of pan edge:	900 mm				

Installation

- *In normal operation according to VDI 2052 (application mix 60% boiling, 38% frying, 2% deep-frying). In case of differing application prior to the construction of the room ventilation system, consult RATIONAL
- **Special voltages on request
- ***Values shown are for a maximum cable length of 2 m. It is the responsibility of the person installing the unit to adjust these values according to the length of cable which will be in use.
- Make sure that the device is connected separately to a 30mA RCD in the onsite distribution.
- Installations must comply with all local electrical, plumbing and ventilation codes (IEC364 or national standard in harmonisation with the IEC364)
- The right hand clearance must be a minimum of 14" (350mm) if heat sources are affecting the left right of the unit
- For proper usage of ConnectedCooking a network socket according to RJ45 has to be provided. For optimal performance a cable-bound connection with a data rate of at least 10 Mb/s is the preferred connection. Alternatively W-LAN connections with appropriate W-LAN adaptors can be used.



Specification/Data sheet

Wed Jan 02 07:28:44 CET 2019

VarioCookingCenter® 311+ (65 dm², 150 l)

Options

- Integral hand shower with automatic retracting system and infinitely variable jet strength (with hand shower WRAS cat. 5, without WRAS cat. 3)
- VitroCeran with frame
- Connection to Sicotronic (others on request)
- Without deep-frying mode
- Special voltages on request
- with signal SOLAS
- stainless steel feet

Accessories

- Scraper
- Arm for automatic raising/lowering device
- Boiling and deep-frying basket
- Bain Marie Kit
- Colander
- Rack
- Oil cart
- VarioMobil®
- UltraVent® condensation hood
- Kit for mouting on castors
- Kit for mouting on a plinth
- Body Kit
- Kit for wall suspension
- Water connection kit
- ConnectedCooking - the networking solution for professional kitchens

RATIONAL UK

Unit 4 Titan Court, Laporte Way
Portenway Business Park, Luton LU4 8EF
Tel.: +44 (0) 1582 480388, Fax.: +44 (0) 1582 485001

Visit us on the internet: www.rational-online.uk

We reserve the right to make technical improvements
